

DA-0101 DIGITAL AMMETER

96x96mm SIZES

TRUE RMS



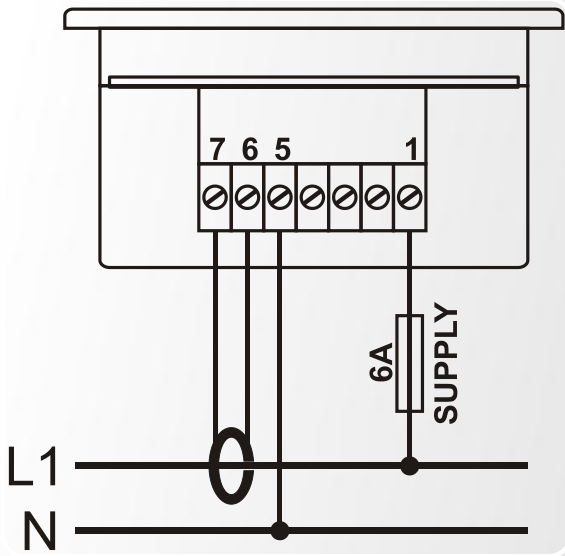
INTRODUCTION

These state-of-the-art panel meters are designed for accurate measurement of the AC RMS voltage, AC RMS current, frequency, active power and power factor in single-phase systems.

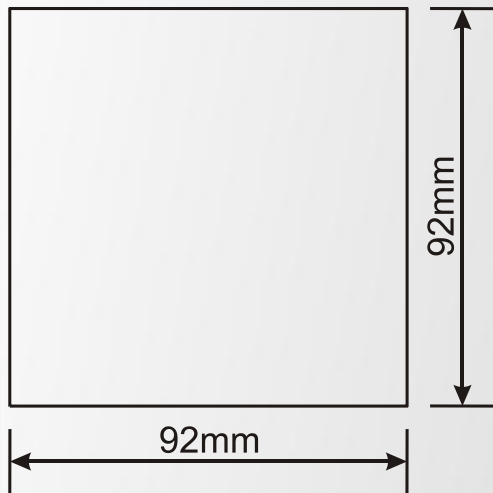
Although they are mainly used in electrical panels, these devices can also be integrated in many other applications.

The current transformer ratio can be set between 5/5A and 5000/5A via front panel buttons.

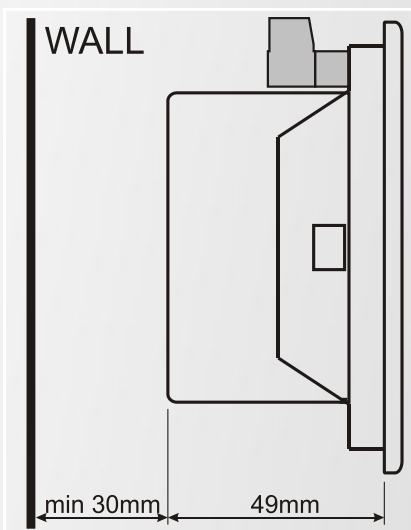
CONNECTION DIAGRAM



PANEL CUTOUT DIMENSIONS



MOUNTING TOLERANCES



TECHNICAL SPECIFICATIONS

Power Supply Input: 170 - 275VAC
50 - 60Hz nominal ($\pm 10\%$)
Different AC/DC supply values available.

Measurement Inputs: 0.2 – 5.50 A AC

Accuracy: 0.5% + 1 digit

Power Consumption: < 1.5W

Burden: < 1VA per phase

Operating Temperature: -40°C to +70 °C

Maximum Humidity: 95% non-condensing.

Degree of Protection: IP 54 (Front Panel)
IP 30 (Back panel)

Enclosure:

Non-flammable, ROHS compliant, high temperature ABS/PC (UL94-V0)

Installation:

Flush mounting with rear retaining brackets

Dimensions: 102x102x53mm (WxHxD)

Panel Cutout Dimensions: 96x96mm

Weight: 185 gr

EU Directives Conformity:

2006/95/EC (low voltage)

2004/108/EC (EMC)

Norms of reference:

EN 61010 (safety requirements)

EN 61326 (EMC requirements)

PACKAGING INFORMATION

Pieces per Package: 12 Pcs

Package Size: 280 x 170 x 215mm (LxWxH)

Package Weight: 2.5 kg

