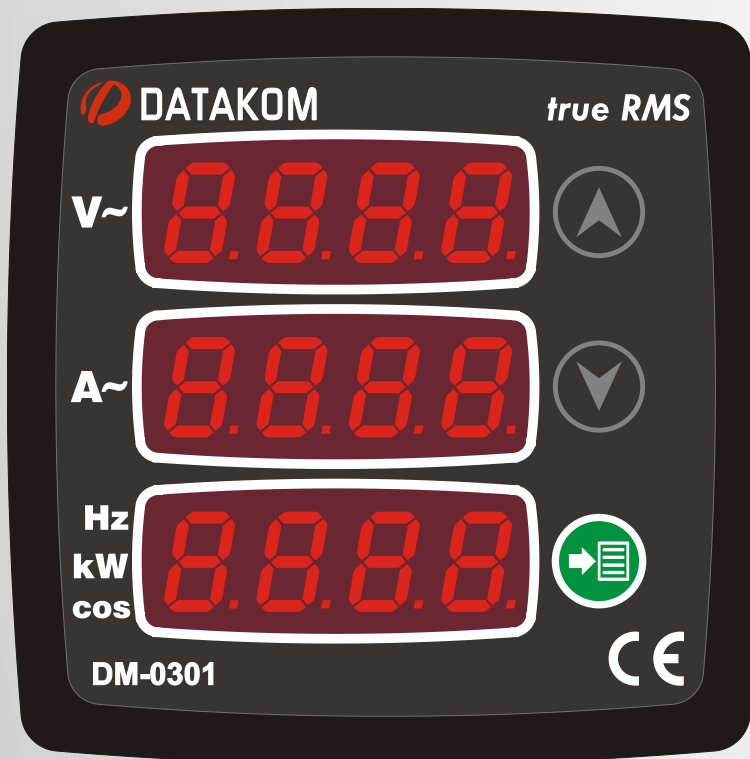


# DM-0301 DIGITAL MULTIMETER

## 72x72 mm

### TRUE RMS



## INTRODUCTION

These state-of-the-art panel meters are designed for accurate measurement of the AC RMS voltage, AC RMS current, frequency, active power and power factor in single-phase systems.

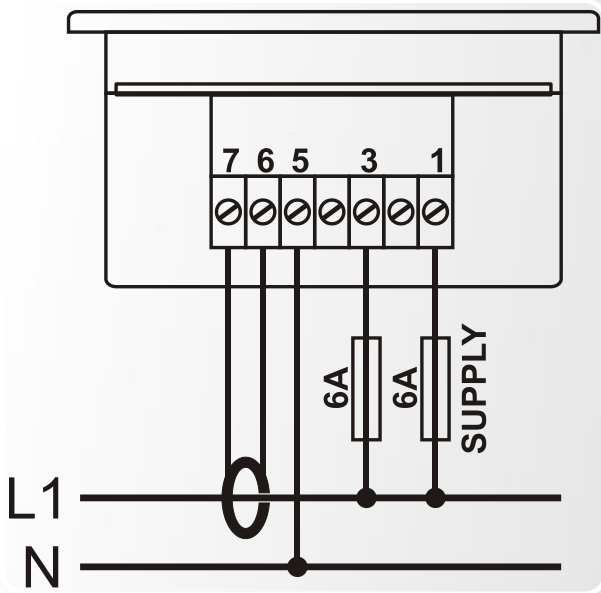
Although they are mainly used in electrical panels, these devices can also be integrated in many other applications.

The current transformer ratio can be set between 5/5A and 5000/5A via front panel buttons.

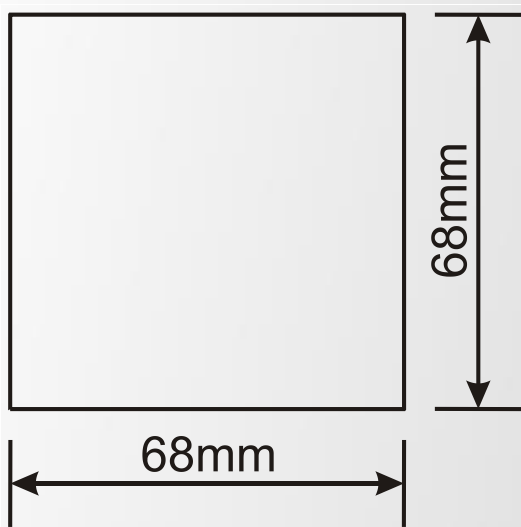
Devices have separate inputs for supply and measurement.

The unit allows both manual selection of the display channel and automatic scrolling.

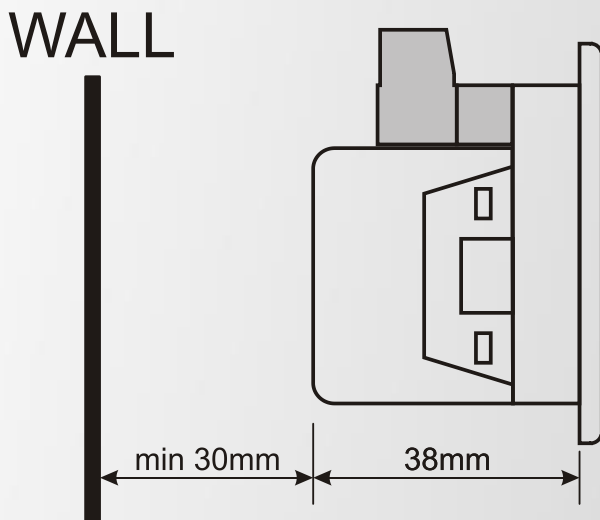
## CONNECTION DIAGRAM



## PANEL CUTOUT DIMENSIONS



## MOUNTING TOLERANCES



## TECHNICAL SPECIFICATIONS

**Power Supply Input:** 170 - 275VAC  
50 - 60Hz nominal ( $\pm 10\%$ )  
Different AC/DC supply values available.

**Measurement Inputs:**  
10 - 300 V AC  
0.2 - 5.50 A AC  
30 - 100 Hz

**Accuracy:** Volts-Amps-Hz: 0.5% + 1 digit  
kW : 1.0% + 2 digits  
cos: 0.5% + 2 digits

**Power Consumption:** < 1.5W

**Burden:**  
Voltage input: < 0.1VA per phase  
Current input: < 1VA per phase

**Operating Temperature:** -40°C ; +70 °C

**Maximum Humidity:** 95% non-condensing.

**Degree of Protection:** IP 54 (Front Panel)  
IP 30 (Back panel)

**Enclosure:**  
Non-flammable, ROHS compliant, high temperature ABS/PC (UL94-V0)

**Installation:**  
Flush mounting with rear retaining brackets

**Dimensions:** 78x78x41mm (WxHxD)  
**Panel Cutout Dimensions:** 68x68mm  
**Weight:** 145 gr

**EU Directives Conformity:**  
2006/95/EC (low voltage)  
2004/108/EC (EMC)

**Norms of reference:**  
EN 61010 (safety requirements)  
EN 61326 (EMC requirements)

## PACKAGING INFORMATION

**Pieces per Package:** 24 Pcs  
**Package Size:** 280 x 170 x 215mm (LxWxH)  
**Package Weight:** 3.7 kg

